

## 5. QUALITY CERTIFICATION

We, SUPERLOCK CO.,LTD. guarantee it's quality as follows

기 기 명	ELECTRO MAGNETIC LOCK (OUTSWING DOOR 300Kgf)			
CUSTOMER	ADD			
	NAME		TEL	
DATE OF SALES			WARRANTY	12 MONTH
REMARKS				

DISTRIBUTOR



96-1, YANGJAE-DONG, SEOCHO-GU, SEOUL, KOREA  
TEL: 82-2-577-6246 FAX: 82-2-577-6247  
www.superlock.co.kr superlock@superlock.co.kr

# USER GUIDE

- ELECTRO MAGNETIC LOCK  
(OUTSWING DOOR 300Kgf)



## 1. SPECIFICATION

### EM-300(M)

Voltage : DC 12V / DC 24V

Current Draw : DC 12V 600mA / DC 24V 300mA

Holding Force : 300Kgf

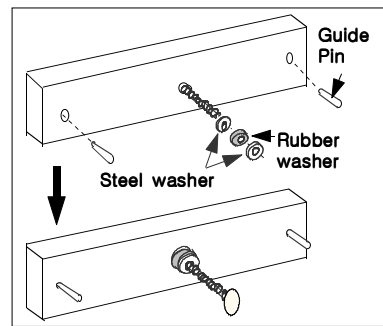
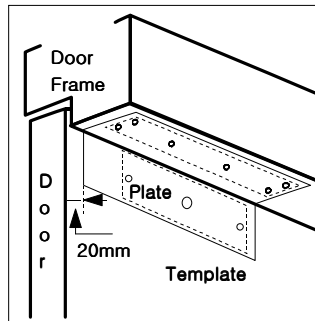
Magnet : 250 × 43 × 25(mm) Amature Plate : 180 × 41 × 25(mm)

### EM-300(M)

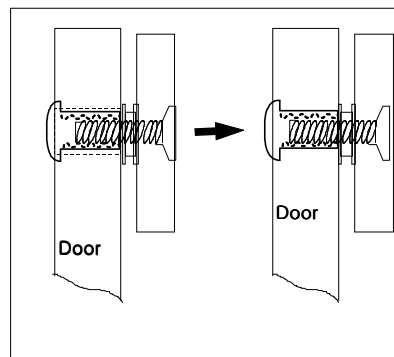
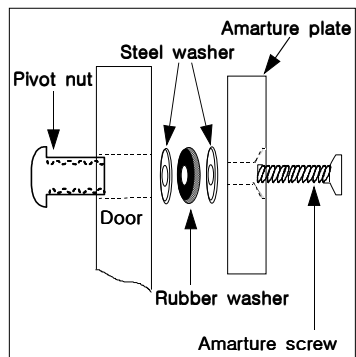
MONITERING : DOOR SENSOR NO / LOCKING SENSOR NO, COM,

## 2. INSTALLATION(OUTSWING)

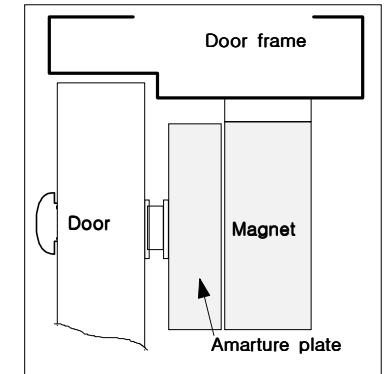
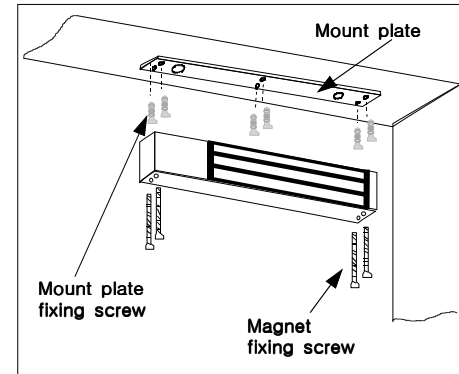
### 2.1. AMATURE PLATE INSTALLTION



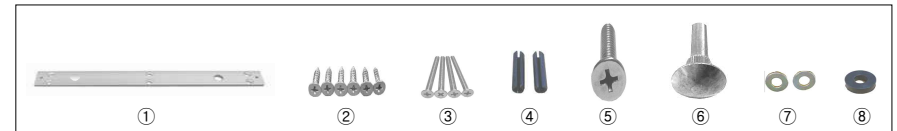
Fold the mounting Template along the dotted line to a 90-degree angle. Make sure the Hole Guide Pins are in the two guide pin holes. Put on rubber washer between two steel washers, and place them over the armature screw between the armature plate and the door.



### 2.2 MAGNET INSTALLATION



## 3. ACCESSORY PACK



①	Mount plate	⑤	Amature plate screw
②	Mount plate fixing screw	⑥	Pivot nut
③	Magnet fixing screw	⑦	Steel washer
④	Hole guide pin	⑧	Rubber washer

## 4. CONNECTING DIAGRAM

